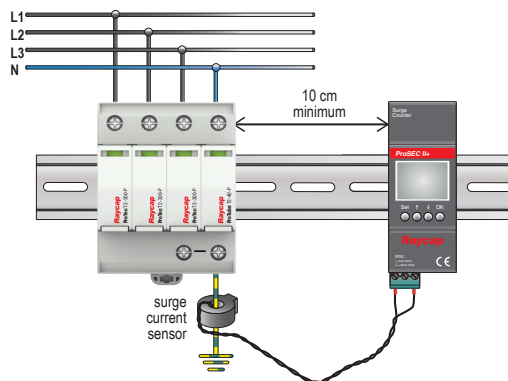




Features

- LCD screen displays number of surges, hour, minute and date of surge event
- Buttons for TIME/DATE setting and log viewing
- Replaceable battery, lifetime up to two years
- Easy to install, snap-on surge current sensor
- Complies with: IEC/EN 62561-6

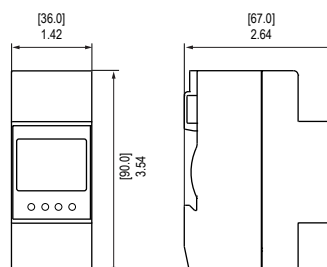
Typical Installation



The ProSEC II+ is a surge counter with additional functionality. Besides counting the number of surges, it also logs the hour and date of each surge counted. This additional time and date logging function makes it possible to pinpoint the exact time of every surge and correlate it with equipment and power supply problems inside of a facility or structure.

Technical Data

Electrical	
ProSEC II+ Order Code	130 100
Threshold Current (8/20µs) [I_{tc}]	50 A
Maximum Counting Discharge Current (8/20µs) [I_{mcw}]	50 kA
Power Supply	Replaceable CR17335 lithium battery Lifetime up to two years
Maximum Events Logged	999
Mechanical	
Mounting Method EN 60715	35 mm DIN rail
Maximum Wired Diameter through Current Sensor	0.55" [14 mm]
Sensor Cable	19.7" [0.5 m]
Temperature Range	-4 °F to +158 °F [-20 °C to +70 °C]
Environmental Ingress Protection (IP) Rating	IP 20
Enclosure Material	Thermoplastic; Extinguishing degree UL 94 V-0
Enclosure Dimension (L x W x D)	3.54" x 1.42" x 2.64" [90 x 36 x 67 mm]
Dimensions DIN 43880	2 TE
Packaging Dimensions (L x W x D)	4.33" x 1.65" x 3.27" [110 x 42 x 83 mm]
Weight	.33 lbs [150 g]
Standards Compliance & Certifications	
Standards	IEC 62561-6
Certification	RoHS, CE
Product Diagram	



[mm]
inches